

Durofix

RV2047-W45 (BLUE TOOTH TYPE) PRECISION CORDLESS SCREWDRIVER

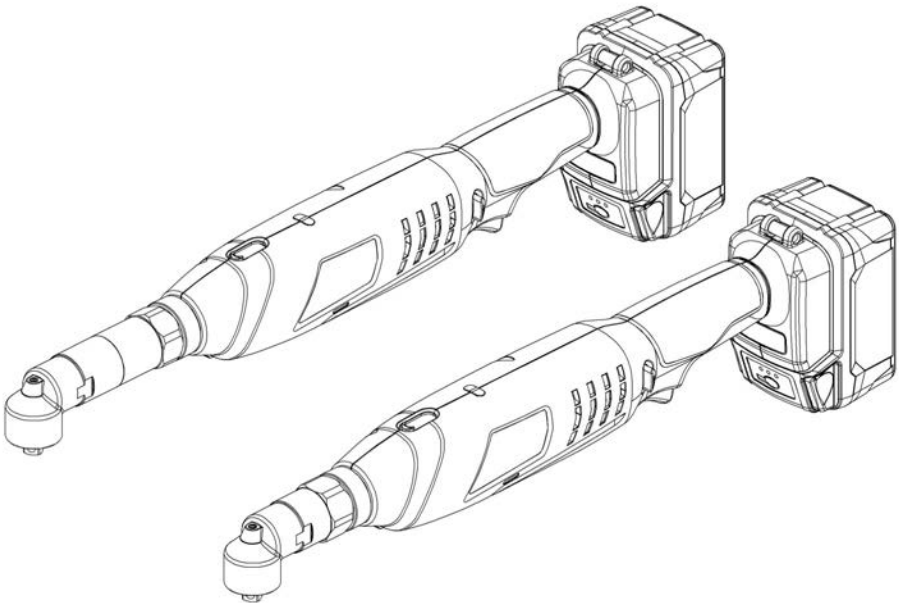
PRODUCT INFORMATION MANUAL



THIS MANUAL CONTAINS IMPORTANT INFORMATION REGARDING SAFETY, OPERATION, MAINTENANCE AND STORAGE OF THIS PRODUCT.

DO NOT ATTEMPT TO OPERATE THE TOOL UNTIL YOU HAVE READ AND UNDERSTOOD ALL INSTRUCTIONS AND SAFETY RULES CONTAINED IN THIS MANUAL. FAILURE TO COMPLY MAY RESULT IN ACCIDENTS INVOLVING FIRE, ELECTRIC SHOCK, OR SERIOUS PERSONAL INJURY. SAVE THIS OWNER'S MANUAL FOR FUTURE REFERENCE AND REVIEW IT FREQUENTLY FOR SAFE

OPERATION.



Original Instructions



THANKS FOR CHOOSING THIS PRODUCT

Durofix provides you with products at an affordable price, and we would like you to be fully satisfied with this product and our technical support. If any help or advice is needed, please kindly contact us.

INTENDED USE

This tool is intended for **trained adult** use only.

This **screwdriver** is designed to remove and install threaded fasteners.

GENERAL SAFETY RULES

WARNING

Read all safety warnings, instructions, illustrations and specifications provided with this power tool. Failure to follow all instructions listed below may result in electric shock, fire and/or serious injury. The term "power tool" in all of the warnings listed below refers to your mains-operated (corded) power tool or battery-operated (cordless) power tool.

SAVE THESE INSTRUCTIONS FOR FUTURE REFERENCE

RECOGNIZE SAFETY SYMBOLS, WORDS AND LABELS

The safety instructions provided in this manual are not intended to cover all possible conditions and practices that may occur when operating, maintaining and cleaning power tools.

Always use common sense and pay particular attention to all the **DANGER**, **WARNING**, **CAUTION** and **NOTE** statements of this manual.



This is the safety alert symbol. It is used to alert you to potential personal injury hazards. Obey all safety messages that follow this symbol to avoid possible injury or death.

DANGER

DANGER indicates an imminently hazardous situation which, if not avoided, will result in death or serious injury.

WARNING

WARNING indicates a potentially hazardous situation which, if not avoided, could result in death or serious injury.

CAUTION

CAUTION indicates a potentially hazardous situation which, if not avoided, may result in minor or moderate injury.

NOTE

NOTE provides additional information that is useful for proper use and maintenance of this tool. If a **NOTE** is indicated make sure it is fully understood.

WARNING LABEL IDENTIFICATION



Read Manuals Before Operating Product.



Wear Eye Protection.



Wear Hearing Protection.



Wear Dust Mask.



Power tools can vibrate in use.



Keep body stance balanced and firm. Do not overreach when operating this tool.

IMPORTANT SAFETY RULES

DANGER

When using power tools, always prevent exposure and breathing of harmful dust and particles.

WARNING: Some dust created by power sanding, sawing, grinding, drilling and other construction activities contains chemicals known to the [State of California](#) to cause cancer, birth defects or other reproductive harm.

Some examples of these chemicals are:

- Lead from lead-based paints.
- Crystalline silica from bricks and cement and other masonry products, and arsenic and chromium from chemically-treated lumber.

Your risk from these exposures varies, depending on how often you do this type of work. To reduce your exposure to these chemicals: work in a well ventilated area, and work with approved safety equipment, such as dust masks that are specially designed to filter out microscopic particles.

WARNING: Handling the power cord on corded products may expose you to lead, a chemical known to the [State of California](#) to cause cancer and birth defects or other reproductive harm. *Wash hands after handling.*

WORK AREA

⚠ WARNING

Keep work area clean and well lit. Cluttered and dark areas invite accidents.

Do not operate power tools in explosive atmospheres, such as in the presence of flammable liquids, gases or dust. Power tools create sparks which may ignite the dust or fumes.

Keep children and bystanders away while operating a power tool. Distractions can cause you to lose control.

ELECTRICAL SAFETY

⚠ WARNING

- a. **Avoid body contact with earthed or grounded surfaces such as pipes, radiators, ranges and refrigerators.** There is an increased risk of electric shock if your body is earthed or grounded.
- b. **Do not expose power tools to rain or wet conditions.** Water entering a power tool will increase the risk of electric shock
- c. **Do not abuse the cord. Never use the cord for carrying, pulling or unplugging the power tool. Keep cord away from heat, oil, sharp edges or moving parts.** Damaged or entangled cords increase the risk of electric shock.
- d. **When operating a power tool outdoors, use an extension cord suitable for outdoor use.** Use of a cord suitable for outdoor use reduces the risk of electric shock.
- e. **If operating a power tool in a damp location is unavoidable, use a residual current device (RCD) protected supply.** Use of an RCD reduces the risk of electric shock.
- f. **NOTE** The term “residual current device (RCD)” can be replaced by the term “ground fault circuit interrupter (GFCI)” or “earth leakage circuit breaker (ELCB)”.

PERSONAL SAFETY

⚠ WARNING

- a. **Stay alert, watch what you are doing and use common sense when operating a power tool. Do not use a power tool while you are tired or under the influence of drugs, alcohol or medication.** A moment of inattention while operating power tools may result in serious personal injury.
- b. **Use safety equipment. Always wear eye protection.** Safety equipment such as dust mask, non-skid safety shoes, hard hat, or hearing protection used for appropriate conditions will reduce personal injuries.
- c. **Prevent unintentional starting. Ensure the switch is in the off-position before**

connecting to power source and/or battery pack, picking up or carrying the tool. Carrying power tools with your finger on the switch or energising power tools that have the switch on invites accidents.

- d. **Remove any adjusting key or wrench before turning the power tool on.** A wrench or a key left attached to a rotating part of the power tool may result in personal injury.
- e. **Do not overreach. Keep proper footing and balance at all times.** This enables better control of the power tool in unexpected situations.
- f. **Dress properly. Do not wear loose clothing or jewellery. Keep your hair, clothing and gloves away from moving parts.** Loose clothes, jewellery or long hair can be caught in moving parts.
- g. **If devices are provided for the connection of dust extraction and collection facilities, ensure these are connected and properly used.** Use of these devices can reduce dust-related hazards.
- h. **Do not let familiarity gained from frequent use of tools allow you to become complacent and ignore tool safety principles.** A careless action can cause severe injury within a fraction of a second.

TOOL USE AND CARE

WARNING

- a. **Use clamps or other practical way to secure and support the workpiece to a stable platform.** Holding the work by hand or against your body is unstable and may lead to loss of control.
- b. **Do not force tool. Use the correct tool for your application.** The correct tool will do the job better and safer at the rate for which it is designed.
- c. **Do not use tool if switch does not turn it on or off.** A tool that cannot be controlled with the switch is dangerous and must be repaired.
- d. **Disconnect battery pack from tool or place the switch in the locked or off position before making any adjustments, changing accessories, or storing the tool.** Such preventive safety measures reduce the risk of starting the tool accidentally.
- e. **Store idle tools out of reach of children and other untrained persons.** Tools are dangerous in the hands of untrained users.
- f. **Maintain power tools and accessories. Check for misalignment or binding of moving parts, breakage of parts and any other condition that may affect the power tool's operation. If damaged, have the power tool repaired before use.**
Many accidents are caused by poorly maintained power tools.
- g. **Keep cutting tools sharp and clean.** Properly maintained cutting tools with sharp cutting edges are less likely to bind and are easier to control.

- h. **Use the power tool, accessories and tool bits etc. in accordance with these instructions, taking into account the working conditions and the work to be performed.** Use of the power tool for operations different from those intended could result in a hazardous situation.
- i. **Keep handles and grasping surfaces dry, clean and free from oil and grease.** Slippery handles and grasping surfaces do not allow for safe handling and control of the tool in unexpected situations.
- j. **When battery pack is not in use, keep it away from other metal objects like: paper clips, coins, keys, nails, screws, or other small metal objects that can make a connection from one terminal to another.** Shorting the battery terminals together may cause sparks, burns, or a fire.
- k. **Maintain tools with care. Keep cutting tools sharp and clean.** Properly maintained tools with sharp cutting edge are less likely to bind and are easier to control.
- l. **Check for misalignment or binding of moving parts, breakage of parts, and any other condition that may affect the tool's operation. If damaged, have the tool serviced before using.** Many accidents are caused by poorly maintained tools.
- m. **Use only accessories that are recommended by the manufacturer for your model.** Accessories that may be suitable for one tool may create a risk of injury when used on another tool.

BATTERY TOOL USE AND CARE

WARNING

- a. **Ensure the switch is in the off position before inserting battery pack.** Inserting the battery pack into power tools that have the switch on invites accidents.
- b. **Recharge only with the charger specified by the manufacturer.** A charger that is suitable for one type of battery pack may create a risk of fire when used with another battery pack.
- c. **Use power tools only with specifically designated battery packs.** Use of any other battery packs may create a risk of injury and fire.
- d. **When battery pack is not in use, keep it away from other metal objects like paper clips, coins, keys, nails, screws, or other small metal objects that can make a connection from one terminal to another.** Shorting the battery terminals together may cause burns or a fire.
- e. **Under abusive conditions, liquid may be ejected from the battery; avoid contact. If contact accidentally occurs, flush with water. If liquid contacts eyes, additionally seek medical help.** Liquid ejected from the battery may cause irritation or burns.
- f. **Do not use a battery pack or tool that is damaged or modified.** Damaged or
- g. **modified batteries may exhibit unpredictable behaviour resulting in fire,**

explosion or risk of injury.

- h. **Do not expose a battery pack or tool to fire or excessive temperature.** Exposure to fire or temperature above 130 °C may cause explosion. NOTE The temperature „130 °C“ can be replaced by the temperature „265 °F“.
- i. **Follow all charging instructions and do not charge the battery pack or tool outside the temperature range specified in the instructions.** Charging improperly or at temperatures outside the specified range may damage the battery and increase the risk of fire.

SERVICE

Have your power tool serviced by a qualified repair person using only identical replacement parts. This will ensure that the safety of the power tool is maintained.

Tool service must be performed only by qualified repair personnel. Service or maintenance performed by unqualified personnel may result in a risk of injury.

When servicing a tool, use only identical replacement parts. Follow instructions in the Maintenance section of this manual. Use of unauthorized parts or failure to follow Maintenance Instructions may create a risk of shock or injury.

SPECIFIC SAFETY RULES AND SYMBOLS

CAUTION

Hold tool by insulated gripping surfaces when performing an operation where the cutting tool may contact hidden wiring. Contact with 'live' wire will also make exposed metal parts of the tool 'live' and shock the operator.

Be aware that this tool is always in an operating condition, because it does not have to be plugged into an electrical outlet. Always set the trigger switch to the locked OFF position when installing or removing the battery pack or bits.

Do not use bits or sockets larger than those recommended. Large bits or drills may overload the wrench/driver and damage the motor and gears.

Do not use if chuck jaws or other parts are cracked or worn.

Never change direction of rotation until motor has completely stopped.

Never hold work in your hand, lap, or against other parts of your body when driving.

Do not use drill as a router or try to elongate or enlarge holes by twisting the drill bit. Drill bits may break and cause injury.

Keep hands away from rotating parts.


Keep drill bit clear of yourself and all objects while installing and removing bit.

Some wood contains preservatives which can be toxic. Take extra care to prevent inhalation and skin contact when working with these materials. Request, and follow,

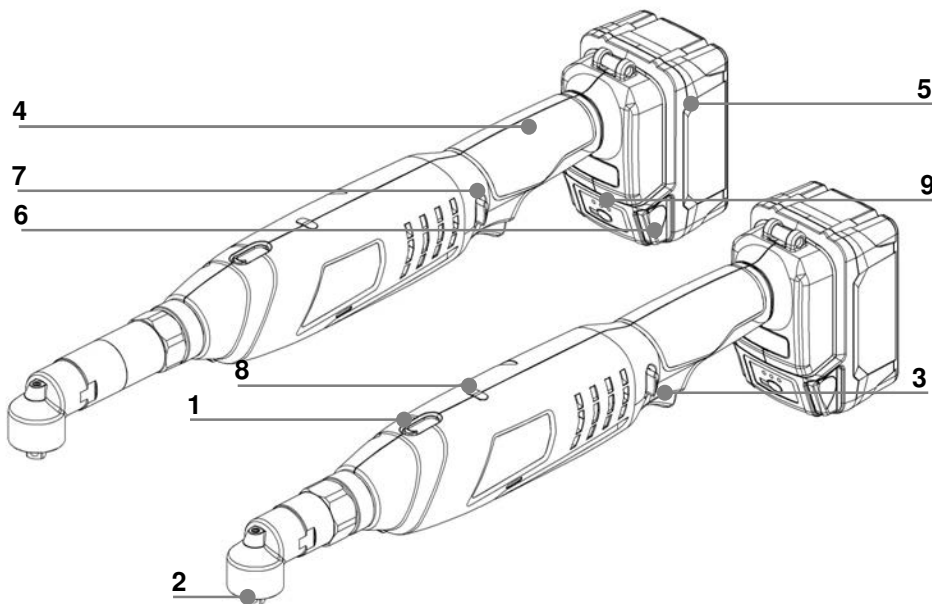
all safety information available from your material supplier.

SYMBOLS

The label on your tool may include the following symbols. The symbols and their definitions are as follows:

SYMBOL	NAME	EXPLANATION
V	Volts	Voltage (potential)
No	No Load Speed	No-load Rotational Speed
kg	Kilograms	Weight
 d.c.	Direct Current	Type of Current
.../min	Revolutions per Minute	Revolutions, Surface Speed, Strokes, etc. per Minute
rpm	Revolutions per Minute	Revolutions, Surface Speed, Strokes, etc. per Minute

FUNCTIONAL DESCRIPTION



CONTROLS AND COMPONENTS:

1. Torque Adjust Cover
2. 3/8" Anvil
3. Trigger
4. Handle
5. Battery Pack
6. Release Button

- 7. Forward/Reverse Lever
- 9. Battery Power Indicator

- 8. Auto Shut OFF Indicator

SPECIFICATIONS

Model Number	Unit	RV2047-W45
Voltage	V d.c.	20
Drive/Anvil	in.	3/8"
Max. Tightening Torque	Ft-lbs	13.3-33.2
	Nm	18-45
No Load Speed	rpm	0~300
Tool Weight (with battery 4.0Ah)	lbs	4.62
	kg	2.1

▲ **WARNING**

- that the vibration emission during actual use of the power tool can differ from the declared total value depending on the ways in which the tool is used; and
- of the need to identify safety measures to protect the operator that are based on an estimation of exposure in the actual conditions of use (taking account of all parts of the operating cycle such as the times when the tool is switched off and when it is running idle in addition to the trigger time).

Charger Model Number	DC20US28-30A
Input	100-240 Va.c., 50-60 Hz
Output	21.0 Vd.c.
Output Amps	3.0A
Input Power	85W
Charger Weight	0.88 lbs / 0.4kg
Battery Pack Model Number	B2027LA / B2027LA-2
Type	Li-ion
Capacity	2.0Ah / 4.0Ah

ASSEMBLY

INSTALLING OR REMOVING BATTERY PACK

TO INSTALL BATTERY PACK: Push battery pack (A) onto tool (B) until it locks in place. (see Fig. 1)

TO REMOVE BATTERY PACK: Depress the battery the two side release button and pull battery pack (A) out of tool (B). (see Fig.1)

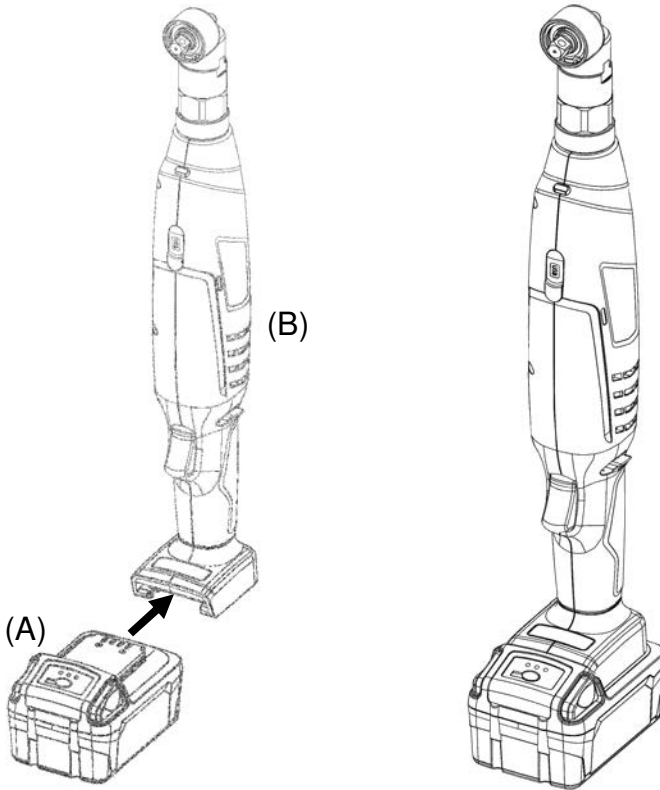


Fig. 1

TORQUE SETUP AND ADJUSTING

1. Open the torque adjust cover (see Fig.2).

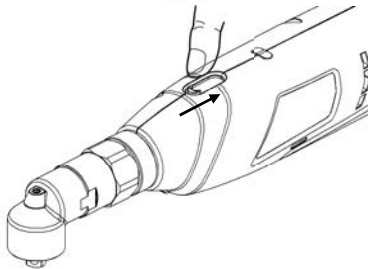


Fig.2

2. Use the attached screwdriver (A) insert into the circle hole (B). (see Fig.3).

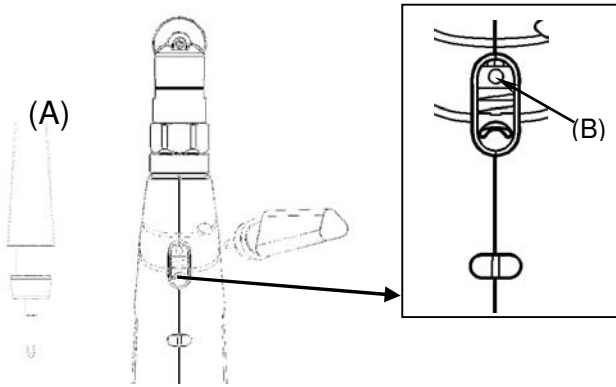


Fig.3

3. Turn the screw plug as Fig.4 to setup the torque.

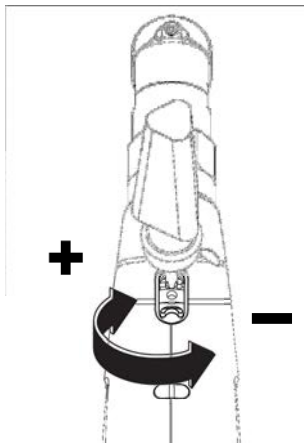


Fig.4

NOTE: You should remove the battery from the tool before you adjust the torque, to avoid touching the trigger to start up the tool. You are requested to use the attached screw to avoid the damage of the tool.

4. Check the setup torque with digital torque tester to confirm the torque is correct. If not, repeat the procedure 3 and 4 until the target torque value display on the digital torque tester. (see Fig.5 for reference only)



Fig.5

OPERATION

VARIABLE SPEED SWITCH

The variable speed switch provides safety feature to the user for screw driving.

To turn the tool on, squeeze the trigger switch. To turn the tool off, release the trigger switch (see Fig. 6).

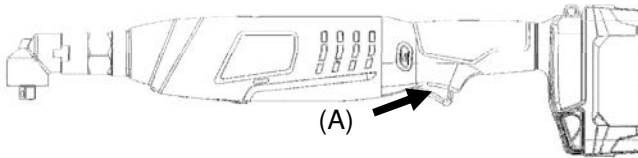


Fig.6

NOTE:

The tool is equipped with a soft-starting feature. If the switch off after a proper screw driving operation, restarting is not possible until after around 0.8 seconds. This prevents accidental retightening of already tightened screws.

FORWARD / REVERSE LEVER

A forward/reverse lever determines the direction of the tool and also serves as a lock off button.

To select forward rotation, RELEASE THE SWITCH (A) (see Fig. 7), and push the forward/reverse lever (B) (see Fig. 7) toward left side of the tool . ◀

To select reverse rotation, RELEASE THE SWITCH (A) (see Fig.7), and push the forward/reverse lever (B) (see Fig.7) toward right side of the tool . ▶

The center position of the lever locks the tool in the off position.

NOTE: When change the position of the lever, making sure the trigger is released.

NOTE: The lever should be moved in the center position with no operation.

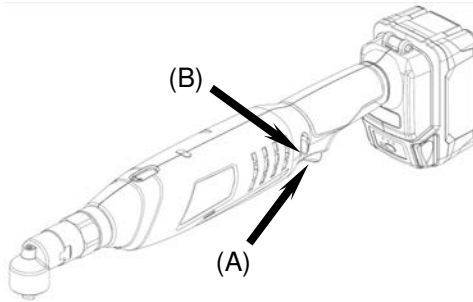


Fig. 7

INSTALLING THE SOCKET ONTO ANVIL

Insert the socket onto the anvil as Fig.8.

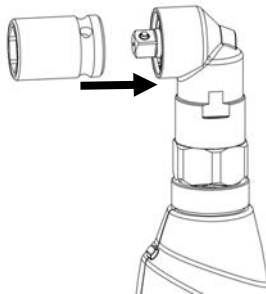


Fig.8

BATTERY POWER INDICATOR

Trigger the tool and Battery Indicator to show the battery pack's remaining capacity

1. One light ON: 30% remaining capacity.
2. Two lights ON: 60% remaining capacity.
3. All lights ON: 100% remaining capacity.



AUTO SHUT OFF INDICATION

Forward mode

The green light will flash when the tighten torque reach the setting value and alarm. Oppositely the tighten torque do not reach the setting value the red light will flash and alarm. (see Fig.11 (A))

NOTE: In no load operation, release the trigger red light will flash and alarm.

Reverse mode

The red and green light will blink per second in meantime

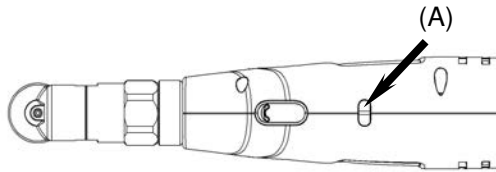


Fig.11

WORK

1. Install the socket onto the anvil
2. Adjust the torque (check with torque meter)
3. Insert the socket into the nuts or bolts or screws on the workpiece
4. Depress the trigger to start the action
5. Until the tool shut off (flash green light and alarm) when the torque reach
6. Release the trigger
7. Repeat the above procedure 3 to 6.

NOTE:

1. If the bolt / screw is $\leq M3$, to avoid the screws break. It should decrease the tighten torque of the tool in low torque or use a low torque tool to work.
2. The tool should be vertical to tighten the nuts / bolts / screws in workpiece.
3. Before work you should check the torque of the tool with torque meter to ensure the torque will not hurt the nuts / bolts / screws or workpiece.

APP INSTRUCTION V1

Following the procedure to connect the tools through the blue tooth

1. Start up the blue tooth function on the iPad
2. Run the *Durofix*, APP, go to “Tools page” as the below picture.
3. Press the trigger of the tool. The tool will be paired to APP, and tool’s ID will show up here.

Remark:

Only display items when the tool connected. It’s blank if no tool connects.

Select a Device



Durofix[4][9]

S/N: Dus888888

OP: Jason

UUID: BBB4089D-F30F-8A41-64D3-800A17E4DE8B

RSSI: -53

Version: 0



Durofix[5][6]

S/N: Dus777777

OP: Bella

UUID: 69B694E7-0974-81D5-9276-984DAA42311D

RSSI: -61

Version: 0



RV2048



S/N: Name:

Group: Tool ID:

NG



Date/Time	[Count]	[Turns]	[Times]	[Angle]	[Status]	[Code]
2019/04/02 16:41:01	[1]	[1.6turns]	[950ms]	[0°]	[NG]	[N3]
2019/04/02 16:41:01	[2]	[19.3turns]	[1350ms]	[0°]	[OK]	[--]
2019/04/02 16:41:02	[3]	[15.1turns]	[1250ms]	[0°]	[OK]	[--]
2019/04/02 16:41:02	[4]	[34.1turns]	[2200ms]	[0°]	[OK]	[--]
2019/04/02 16:41:02	[5]	[13.5turns]	[1000ms]	[0°]	[OK]	[--]
2019/04/02 16:41:18	[6]	[2.8turns]	[400ms]	[0°]	[NG]	[N3]



16:41:01[1][1.6turns][950ms][0°][NG][N3]

16:41:01[2][19.3turns][1350ms][0°][OK][--]

16:41:02[3][15.1turns][1250ms][0°][OK][--]

16:41:02[4][34.1turns][2200ms][0°][OK][--]

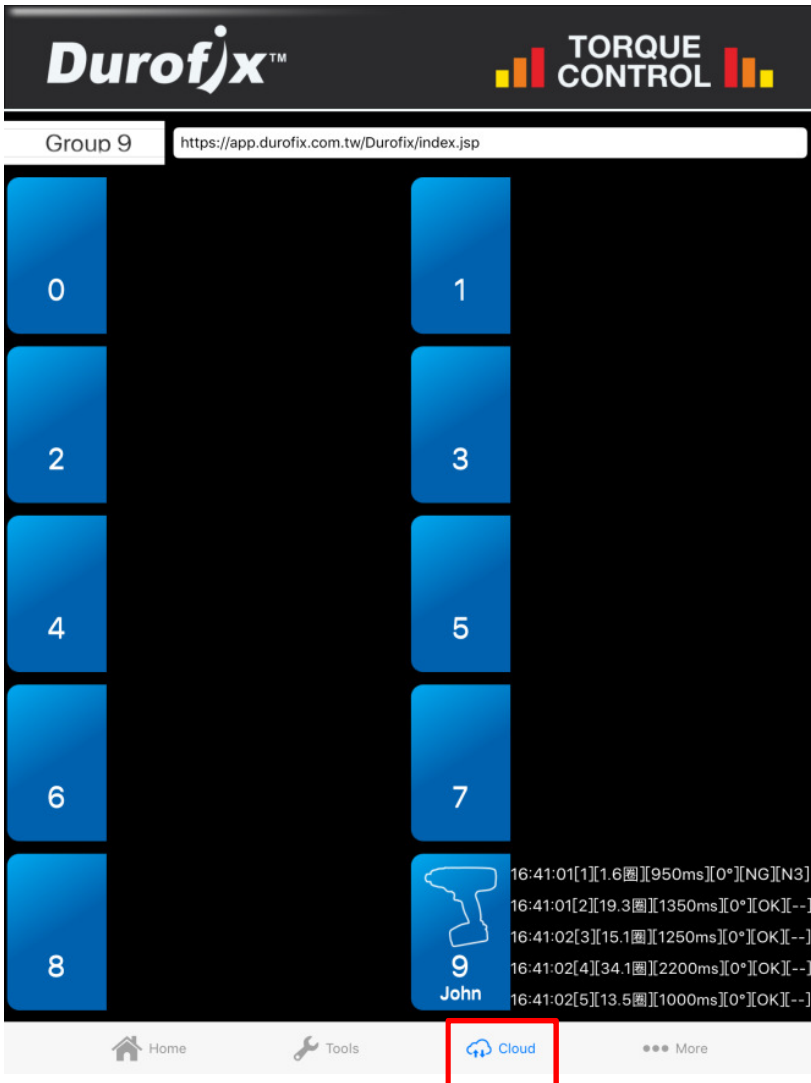
16:41:02[5][13.5turns][1000ms][0°][OK][--]



You can recall fasten resume

by click the icon

It is able to connect 10 tools in each group, total 16 groups in this APP. You can see the connection status including the connected tools fastening status on the cloud page as the picture..

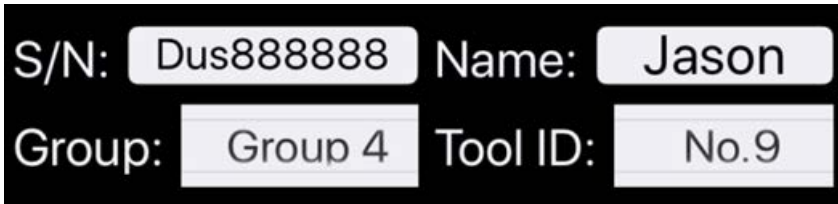


Choose the tool in the previous page, it will be into this page.

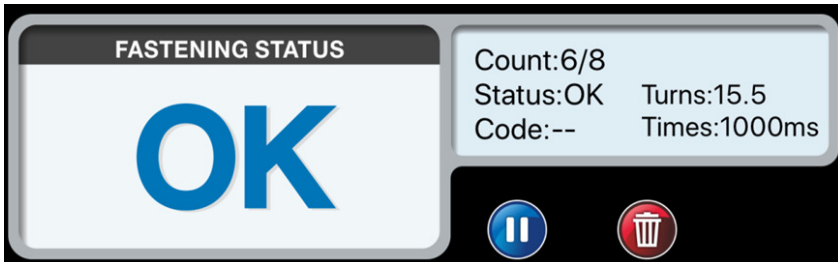
The screenshot displays the Durofix TORQUE CONTROL application interface. At the top left is the Durofix logo, and at the top right is the TORQUE CONTROL logo with a bar chart icon. The main area shows tool information: a drill icon, model number RV2048, S/N: Dus888888, Name: Jason, Group: Group 4, and Tool ID: No.9. A FASTENING STATUS box shows 'OK' in large blue letters. To its right, a summary box lists: Count: 6/8, Status: OK, Code: --, Turns: 15.5, and Times: 1000ms. Below these are control buttons for pause and delete. The settings section includes: Cycle Max (8), Automatic Cycle (checked), Pre-Fasten (unchecked), Record NG (unchecked), ROTATION > Normal (checked), Forward Only (unchecked), Reverse Only (unchecked), and Rundown Finish Times [ms] (checked). The Rundown Finish Times section has sliders for Max (25500) and Min (800). The Rundown Finish Turns [turns] section has sliders for Max (511.9) and Min (2.0). At the bottom, a navigation bar contains icons for Home, Tools (highlighted with a red box), Cloud, and More. The text 'V0' is visible in the bottom right corner of the main interface area.

Specification of the setting and the function on the pages

1. It will show the connected ID of tool, the operator name, series number and group.



2. Fastening status and information



3. Counting:

Cycle Max:

Set up the workbench bolts in “Cycle Max”. It can record every bolt fasten information and help proof miss fasten.

Automatic Cycle:

On: counts re-cycling automatically

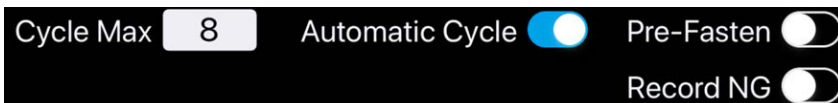
Off: when counts full, the tool will lock and cannot trigger, and need restoration on this app manually.

Pre-Fasten:

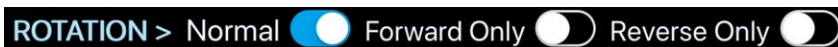
On: won't count if no shutoff

Record NG:

Off: won't count NG fasten, user can try to fasten the same bolt till good.



4. Here defines the tool operation direction. You can restrict the operator tighten/loosen bolts only or normal working



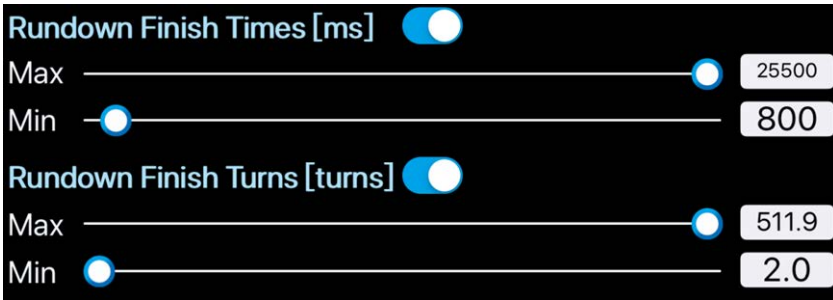
5. Every bolt detail fastening status can be tracked by activating those 2 items. If the tighten statuses is outside the setting, it will warn NG whatever the tightening torque is satisfied.

Rundown Finish Turns:

It monitors how many seconds you fasten this bolt. The range setting is 800~25500 ms.

Rundown Finish Times:

It monitors how many turns you fasten this bolt. The range setting is 2.0~511.9 turns.



MAINTENANCE

WARNING Remove the battery pack from this tool before cleaning solutions.

NOTE This tool is lubricated before it leaves the factory. This lubrication should last for the life of the tool. No further lubrication is required.

DANGER A battery pulse tool is a precision tool. Disassembly, assembly, adjustment require exclusive JIGS plus testers, and trained techniques. Incorrect disassembly, reassembly or adjustment can cause not only insufficient power but also accidents. Ask for these services from an authorized service centre. The maker or supplier will not be held liable for any damages caused by factors found to be the cause of faulty use or repair by users or unauthorized service provider.

CLEANING

With the motor running, blow dirt and dust out of all air vents with dry air at least once a week. Wear safety glasses when performing this. Exterior plastic parts may be cleaned a damp cloth and mild detergent. Although these parts are highly solvent resistant, NEVER use solvent.

ACCESSORIES

Use only accessories that are recommended by the manufacturer for your model. Accessories that may be suitable for one tool may become hazardous when used on another tool.

Recommended accessories for use with your tool are available at extra cost from your local service center.

IMPORTANT: To assure product SAFETY and RELIABILITY, repairs, maintenance and adjustments should be performed by certified service centers or other qualified service organizations, always using identical replacement parts.

PROTECTING THE ENVIRONMENT

Before disposing of damaged, check with your state Environmental Protection Agency to find out about special restrictions on the disposal of tool or return them to a certified service center for recycling.



Durofix



For technical support, call: 886-4-25683366

Service address: Mobiletron Electronics Co., Ltd.

No. 85, Sec. 4, Chung-Ching Rd.

Ta-Ya, Taichung, 428, Taiwan

www.durofix.com.tw